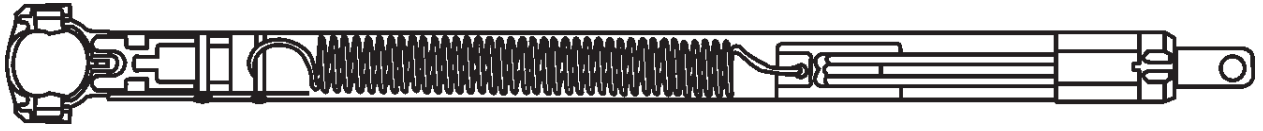


## 62-716 SERIES 1/2" X 1/2" INVERTED TILT CHANNEL BALANCES

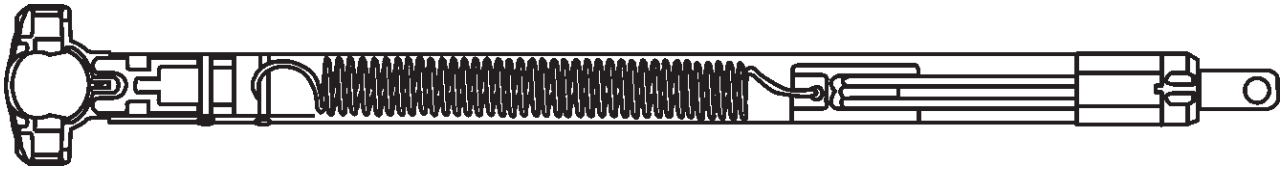


Length of Metal Channel	Number Stamped on Balance	Sash Weight	Our Part Number	Length of Metal Channel	Number Stamped on Balance	Sash Weight	Our Part Number	Length of Metal Channel	Number Stamped on Balance	Sash Weight	Our Part Number	Length of Metal Channel	Number Stamped on Balance	Sash Weight	Our Part Number
10"	10A	1-6 LBS.	62-716-10A-	22"	22D	21-24 LBS.	62-716-22D-	30"	30E	29-33 LBS.	62-716-30E-	38"	38B	16-22 LBS.	62-716-38B-
10"	10B	6-10 LBS.	62-716-10B-	22"	22E	24-27 LBS.	62-716-22E-	30"	30F	33-37 LBS.	62-716-30F-	38"	38C	22-27 LBS.	62-716-38C-
10"	10C	10-13 LBS.	62-716-10C-	22"	22F	27-30 LBS.	62-716-22F-	30"	30G	37-40 LBS.	62-716-30G-	38"	38D	27-32 LBS.	62-716-38D-
11"	11A	3-7 LBS.	62-716-11A-	22"	22G	30-34 LBS.	62-716-22G-	30"	30H	40-43 LBS.	62-716-30H-	38"	38E	32-34 LBS.	62-716-38E-
11"	11B	7-10 LBS.	62-716-11B-	22"	22H	34-37 LBS.	62-716-22H-	31"	31A	8-13 LBS.	62-716-31A-	38"	38F	34-37 LBS.	62-716-38F-
11"	11C	10-16 LBS.	62-716-11C-	23"	23A	5-10 LBS.	62-716-23A-	31"	31B	13-19 LBS.	62-716-31B-	38"	38G	37-40 LBS.	62-716-38G-
12"	12A	3-7 LBS.	62-716-12A-	23"	23B	10-16 LBS.	62-716-23B-	31"	31C	19-24 LBS.	62-716-31C-	38"	38H	40-43 LBS.	62-716-38H-
12"	12B	7-10 LBS.	62-716-12B-	23"	23C	16-21 LBS.	62-716-23C-	31"	31D	24-29 LBS.	62-716-31D-	38"	38I	43-45 LBS.	62-716-38I-
12"	12C	10-16 LBS.	62-716-12C-	23"	23D	21-24 LBS.	62-716-23D-	31"	31E	29-33 LBS.	62-716-31E-	39"	39A	11-16 LBS.	62-716-39A-
12"	12D	16-18 LBS.	62-716-12D-	23"	23E	24-27 LBS.	62-716-23E-	31"	31F	33-37 LBS.	62-716-31F-	39"	39B	16-22 LBS.	62-716-39B-
13"	13A	3-7 LBS.	62-716-13A-	23"	23F	27-30 LBS.	62-716-23F-	31"	31G	37-40 LBS.	62-716-31G-	39"	39C	22-27 LBS.	62-716-39C-
13"	13B	7-10 LBS.	62-716-13B-	23"	23G	30-34 LBS.	62-716-23G-	31"	31H	40-43 LBS.	62-716-31H-	39"	39D	27-32 LBS.	62-716-39D-
13"	13C	10-16 LBS.	62-716-13C-	23"	23H	34-37 LBS.	62-716-23H-	32"	32A	8-14 LBS.	62-716-32A-	39"	39E	32-34 LBS.	62-716-39E-
13"	13D	16-18 LBS.	62-716-13D-	24"	24A	6-11 LBS.	62-716-24A-	32"	32B	14-20 LBS.	62-716-32B-	39"	39F	34-37 LBS.	62-716-39F-
14"	14A	3-7 LBS.	62-716-14A-	24"	24B	11-17 LBS.	62-716-24B-	32"	32C	20-25 LBS.	62-716-32C-	39"	39G	37-40 LBS.	62-716-39G-
14"	14B	7-10 LBS.	62-716-14B-	24"	24C	17-22 LBS.	62-716-24C-	32"	32D	25-30 LBS.	62-716-32D-	39"	39H	40-43 LBS.	62-716-39H-
14"	14C	10-16 LBS.	62-716-14C-	24"	24D	22-25 LBS.	62-716-24D-	32"	32E	30-34 LBS.	62-716-32E-	39"	39I	43-45 LBS.	62-716-39I-
14"	14D	16-19 LBS.	62-716-14D-	24"	24E	25-28 LBS.	62-716-24E-	32"	32F	34-37 LBS.	62-716-32F-	40"	40A	11-16 LBS.	62-716-40A-
15"	15A	3-7 LBS.	62-716-15A-	24"	24F	28-30 LBS.	62-716-24F-	32"	32G	37-40 LBS.	62-716-32G-	40"	40B	16-22 LBS.	62-716-40B-
15"	15B	7-10 LBS.	62-716-15B-	24"	24G	30-34 LBS.	62-716-24G-	32"	32H	40-43 LBS.	62-716-32H-	40"	40C	22-27 LBS.	62-716-40C-
15"	15C	10-16 LBS.	62-716-15C-	24"	24H	34-37 LBS.	62-716-24H-	33"	33A	8-14 LBS.	62-716-33A-	40"	40D	27-32 LBS.	62-716-40D-
15"	15D	16-19 LBS.	62-716-15D-	25"	25A	6-11 LBS.	62-716-25A-	33"	33B	14-20 LBS.	62-716-33B-	40"	40E	32-34 LBS.	62-716-40E-
16"	16A	3-7 LBS.	62-716-16A-	25"	25B	11-17 LBS.	62-716-25B-	33"	33C	20-25 LBS.	62-716-33C-	40"	40F	34-37 LBS.	62-716-40F-
16"	16B	7-10 LBS.	62-716-16B-	25"	25C	17-22 LBS.	62-716-25C-	33"	33D	25-30 LBS.	62-716-33D-	40"	40G	37-40 LBS.	62-716-40G-
16"	16C	10-16 LBS.	62-716-16C-	25"	25D	22-25 LBS.	62-716-25D-	33"	33E	30-34 LBS.	62-716-33E-	40"	40H	40-43 LBS.	62-716-40H-
16"	16D	16-19 LBS.	62-716-16D-	25"	25E	25-28 LBS.	62-716-25E-	33"	33F	34-37 LBS.	62-716-33F-	40"	40I	43-45 LBS.	62-716-40I-
16"	16E	19-22 LBS.	62-716-16E-	25"	25F	28-30 LBS.	62-716-25F-	33"	33G	37-40 LBS.	62-716-33G-	41"	41A	11-16 LBS.	62-716-41A-
17"	17A	3-7 LBS.	62-716-17A-	25"	25G	30-34 LBS.	62-716-25G-	33"	33H	40-43 LBS.	62-716-33H-	41"	41B	16-22 LBS.	62-716-41B-
17"	17B	7-10 LBS.	62-716-17B-	25"	25H	34-37 LBS.	62-716-25H-	34"	34A	11-16 LBS.	62-716-34A-	41"	41C	22-27 LBS.	62-716-41C-
17"	17C	10-16 LBS.	62-716-17C-	26"	26A	6-11 LBS.	62-716-26A-	34"	34B	16-22 LBS.	62-716-34B-	41"	41D	27-32 LBS.	62-716-41D-
17"	17D	16-19 LBS.	62-716-17D-	26"	26B	11-17 LBS.	62-716-26B-	34"	34C	22-27 LBS.	62-716-34C-	41"	41E	32-34 LBS.	62-716-41E-
17"	17E	19-22 LBS.	62-716-17E-	26"	26C	17-22 LBS.	62-716-26C-	34"	34D	27-32 LBS.	62-716-34D-	41"	41F	34-37 LBS.	62-716-41F-
17"	17F	22-24 LBS.	62-716-17F-	26"	26D	22-26 LBS.	62-716-26D-	34"	34E	32-34 LBS.	62-716-34E-	41"	41G	37-40 LBS.	62-716-41G-
17"	17G	24-28 LBS.	62-716-17G-	26"	26E	26-30 LBS.	62-716-26E-	34"	34F	34-37 LBS.	62-716-34F-	41"	41H	40-43 LBS.	62-716-41H-
18"	18A	4-9 LBS.	62-716-18A-	26"	26F	30-34 LBS.	62-716-26F-	34"	34G	37-40 LBS.	62-716-34G-	41"	41I	43-45 LBS.	62-716-41I-
18"	18B	9-13 LBS.	62-716-18B-	26"	26G	34-38 LBS.	62-716-26G-	34"	34H	40-43 LBS.	62-716-34H-	42"	42A	11-16 LBS.	62-716-42A-
18"	18C	13-18 LBS.	62-716-18C-	26"	26H	38-42 LBS.	62-716-26H-	34"	34I	43-45 LBS.	62-716-34I-	42"	42B	16-22 LBS.	62-716-42B-
18"	18D	18-21 LBS.	62-716-18D-	27"	27A	6-11 LBS.	62-716-27A-	35"	35A	11-16 LBS.	62-716-35A-	42"	42C	22-27 LBS.	62-716-42C-
18"	18E	21-24 LBS.	62-716-18E-	27"	27B	11-17 LBS.	62-716-27B-	35"	35B	16-22 LBS.	62-716-35B-	42"	42D	27-32 LBS.	62-716-42D-
18"	18F	24-26 LBS.	62-716-18F-	27"	27C	17-22 LBS.	62-716-27C-	35"	35C	22-27 LBS.	62-716-35C-	42"	42E	32-34 LBS.	62-716-42E-
18"	18G	26-29 LBS.	62-716-18G-	27"	27D	22-26 LBS.	62-716-27D-	35"	35D	27-32 LBS.	62-716-35D-	42"	42F	34-37 LBS.	62-716-42F-
19"	19A	4-9 LBS.	62-716-19A-	27"	27E	26-30 LBS.	62-716-27E-	35"	35E	32-34 LBS.	62-716-35E-	42"	42G	37-40 LBS.	62-716-42G-
19"	19B	9-13 LBS.	62-716-19B-	27"	27F	30-34 LBS.	62-716-27F-	35"	35F	34-37 LBS.	62-716-35F-	42"	42H	40-43 LBS.	62-716-42H-
19"	19C	13-18 LBS.	62-716-19C-	27"	27G	34-38 LBS.	62-716-27G-	35"	35G	37-40 LBS.	62-716-35G-	42"	42I	43-45 LBS.	62-716-42I-
19"	19D	18-21 LBS.	62-716-19D-	27"	27H	38-42 LBS.	62-716-27H-	35"	35H	40-43 LBS.	62-716-35H-	43"	43A	11-16 LBS.	62-716-43A-
19"	19E	21-24 LBS.	62-716-19E-	28"	28A	7-12 LBS.	62-716-28A-	35"	35I	43-45 LBS.	62-716-35I-	43"	43B	16-22 LBS.	62-716-43B-
19"	19F	24-26 LBS.	62-716-19F-	28"	28B	12-18 LBS.	62-716-28B-	36"	36A	11-16 LBS.	62-716-36A-	43"	43C	22-27 LBS.	62-716-43C-
19"	19G	26-29 LBS.	62-716-19G-	28"	28C	18-23 LBS.	62-716-28C-	36"	36B	16-22 LBS.	62-716-36B-	43"	43D	27-32 LBS.	62-716-43D-
20"	20A	5-10 LBS.	62-716-20A-	28"	28D	23-28 LBS.	62-716-28D-	36"	36C	22-27 LBS.	62-716-36C-	43"	43E	32-34 LBS.	62-716-43E-
20"	20B	10-14 LBS.	62-716-20B-	28"	28E	28-32 LBS.	62-716-28E-	36"	36D	27-32 LBS.	62-716-36D-	43"	43F	34-37 LBS.	62-716-43F-
20"	20C	14-18 LBS.	62-716-20C-	28"	28F	32-36 LBS.	62-716-28F-	36"	36E	32-34 LBS.	62-716-36E-	43"	43G	37-40 LBS.	62-716-43G-
20"	20D	18-22 LBS.	62-716-20D-	28"	28G	36-40 LBS.	62-716-28G-	36"	36F	34-37 LBS.	62-716-36F-	43"	43H	40-43 LBS.	62-716-43H-
20"	20E	22-26 LBS.	62-716-20E-	28"	28H	40-43 LBS.	62-716-28H-	36"	36G	37-40 LBS.	62-716-36G-	43"	43I	43-45 LBS.	62-716-43I-
20"	20F	26-30 LBS.	62-716-20F-	29"	29A	7-12 LBS.	62-716-29A-	36"	36H	40-43 LBS.	62-716-36H-	44"	44A	11-16 LBS.	62-716-44A-
20"	20G	30-34 LBS.	62-716-20G-	29"	29B	12-18 LBS.	62-716-29B-	36"	36I	43-45 LBS.	62-716-36I-	44"	44B	16-22 LBS.	62-716-44B-
21"	21A	5-10 LBS.	62-716-21A-	29"	29C	18-23 LBS.	62-716-29C-	37"	37A	11-16 LBS.	62-716-37A-	44"	44C	22-27 LBS.	62-716-44C-
21"	21B	10-14 LBS.	62-716-21B-	29"	29D	23-28 LBS.	62-716-29D-	37"	37B	16-22 LBS.	62-716-37B-	44"	44D	27-32 LBS.	62-716-44D-
21"	21C	14-18 LBS.	62-716-21C-	29"	29E	28-32 LBS.	62-716-29E-	37"	37C	22-27 LBS.	62-716-37C-	44"	44E	32-34 LBS.	62-716-44E-
21"	21D	18-22 LBS.	62-716-21D-	29"	29F	32-36 LBS.	62-716-29F-	37"	37D	27-32 LBS.	62-716-37D-	44"	44F	34-37 LBS.	62-716-44F-
21"	21E	22-26 LBS.	62-716-21E-	29"	29G	36-40 LBS.	62-716-29G-	37"	37E	32-34 LBS.	62-716-37E-	44"	44G	37-40 LBS.	62-716-44G-
21"	21F	26-30 LBS.	62-716-21F-	29"	29H	40-43 LBS.	62-716-29H-	37"	37F	34-37 LBS.	62-716-37F-	44"	44H	40-43 LBS.	62-716-44H-
21"	21G	30-34 LBS.	62-716-21G-	30"	30A	8-13 LBS.	62-716-30A-	37"	37G	37-40 LBS.	62-716-37G-	44"	44I	43-45 LBS.	62-716-44I-
22"	22A	5-10 LBS.	62-716-22A-	30"	30B	13-19 LBS.	62-716-30B-	37"	37H	40-43 LBS.	62-716-37H-				
22"	22B	10-16 LBS.	62-716-22B-	30"	30C	19-24 LBS.	62-716-30C-	37"	37I	43-45 LBS.	62-716-37I-				
22"	22C	16-21 LBS.	62-716-22C-	30"	30D	24-29 LBS.	62-716-30D-	38"	38A	11-16 LBS.	62-716-38A-				

See Next Page for Ordering Instructions

# SASH SUPPORT SYSTEMS

## 62-766 SERIES 1/2" X 1/2" INVERTED TILT CHANNEL BALANCE



For Windows 36" or Less				For Windows Wider than 36"			
Length of Metal Channel	Number Stamped on Balance	Sash Weight	Our Part Number	Length of Metal Channel	Number Stamped on Balance	Sash Weight	Our Part Number
9"	900	3-10 LBS.	62-766-900-	9"	901	10-11 LBS.	62-766-901-
10"	1000	3-10 LBS.	62-766-1000-	10"	1001	10-11 LBS.	62-766-1001-
11"	1100	3-10 LBS.	62-766-1100-	11"	1101	10-11 LBS.	62-766-1101-
12"	1200	3-11 LBS.	62-766-1200-	12"	1201	11-13 LBS.	62-766-1201-
13"	1300	3-11 LBS.	62-766-1300-	13"	1301	11-13 LBS.	62-766-1301-
14"	1400	4-12 LBS.	62-766-1400-	14"	1401	12-15 LBS.	62-766-1401-
15"	1500	4-12 LBS.	62-766-1500-	15"	1501	12-15 LBS.	62-766-1501-
16"	1600	4-13 LBS.	62-766-1600-	16"	1601	13-16 LBS.	62-766-1601-
17"	1700	4-13 LBS.	62-766-1700-	17"	1701	13-16 LBS.	62-766-1701-
18"	1800	5-14 LBS.	62-766-1800-	18"	1801	14-18 LBS.	62-766-1801-
19"	1900	5-14 LBS.	62-766-1900-	19"	1901	14-18 LBS.	62-766-1901-
20"	2000	5-16 LBS.	62-766-2000-	20"	2001	16-19 LBS.	62-766-2001-
21"	2100	5-16 LBS.	62-766-2100-	21"	2101	16-19 LBS.	62-766-2101-
22"	2200	6-17 LBS.	62-766-2200-	22"	2201	17-21 LBS.	62-766-2201-
23"	2300	6-17 LBS.	62-766-2300-	23"	2301	17-21 LBS.	62-766-2301-
24"	2400	6-18 LBS.	62-766-2400-	24"	2401	18-23 LBS.	62-766-2401-
25"	2500	6-18 LBS.	62-766-2500-	25"	2501	18-23 LBS.	62-766-2501-
26"	2600	7-19 LBS.	62-766-2600-	26"	2601	19-24 LBS.	62-766-2601-
27"	2700	7-19 LBS.	62-766-2700-	27"	2701	19-24 LBS.	62-766-2701-
28"	2800	7-21 LBS.	62-766-2800-	28"	2801	21-26 LBS.	62-766-2801-
29"	2900	7-21 LBS.	62-766-2900-	29"	2901	21-26 LBS.	62-766-2901-
30"	3000	8-22 LBS.	62-766-3000-	30"	3001	22-28 LBS.	62-766-3001-
31"	3100	8-22 LBS.	62-766-3100-	31"	3101	22-28 LBS.	62-766-3101-
32"	3200	8-23 LBS.	62-766-3200-	32"	3201	23-29 LBS.	62-766-3201-
33"	3300	8-23 LBS.	62-766-3300-	33"	3301	23-29 LBS.	62-766-3301-
34"	3400	9-24 LBS.	62-766-3400-	34"	3401	24-31 LBS.	62-766-3401-
35"	3500	9-24 LBS.	62-766-3500-	35"	3501	24-31 LBS.	62-766-3501-
36"	3600	9-24 LBS.	62-766-3600-	36"	3601	25-32 LBS.	62-766-3601-
37"	3700	9-24 LBS.	62-766-3700-	37"	3701	25-32 LBS.	62-766-3701-
38"	3800	10-27 LBS.	62-766-3800-	38"	3801	27-33 LBS.	62-766-3801-
39"	3900	10-27 LBS.	62-766-3900-	39"	3901	27-33 LBS.	62-766-3901-
40"	4000	10-28 LBS.	62-766-4000-	40"	4001	28-34 LBS.	62-766-4001-
41"	4100	10-28 LBS.	62-766-4100-	41"	4101	28-34 LBS.	62-766-4101-
42"	4200	10-28 LBS.	62-766-4200-	42"	4201	28-34 LBS.	62-766-4201-
43"	4300	10-28 LBS.	62-766-4300-	43"	4301	28-34 LBS.	62-766-4301-
44"	4400	10-28 LBS.	62-766-4400-	44"	4401	28-34 LBS.	62-766-4401-

### ORDERING INSTRUCTIONS FOR 62-716 & 62-766

#### Ordering Information

- 1) Measure metal channel length (Do not include any attached ends.)
- 2) Check number stamped on channel: e.g., 23C, 29A etc.
- 3) Select our corresponding part number from chart on previous page or above.
- 4) Select clip from list on next page and add suffix to end of part number.
- 5) Select the appropriate "T" lock option from next page and add suffix to end of part number.

#### Example Ordering Chart

Channel Length	Number Stamped on Balance	Our Part Number	Clip Attached	Tilt Shoe Attached	Complete Part Number
28"	28A	62-716-28A-	60-950	62-50007	62-716-28A-34C

These balances are special order  
Contact Your Account Manager For Delivery Schedules

## 62-716 & 62-766 SERIES BALANCES ACCESSORIES

### CLIPS

**Suffix -34**

**60-950**  
Form Fit Hanger  
Use with Traditional Pulley

**Suffix -33**

**60-937**  
Form Fit Screw-in  
Use with Traditional Pulley

**Suffix -20**

**60-952**  
Snap-in

**Suffix -36**

**62-50041**  
Hanger  
Use with Reverse Lace

**Suffix -19**

**60-951**  
Screw-in  
Use with Reverse Lace

**Suffix -31**

**62-50051**  
Hanger  
Use with Reverse Lace

### TILT SHOES

**Suffix -38**

**60-965**  
Not Sold Separately  
**REPUBLIC**

Part #	Puck Color	Cam	Suffix
62-50002	White	Open	H
62-50003	White	Closed	D
62-50004	Black	Closed	I
62-50005	Blue	Closed	B
62-50015	Black	Open	J

T-Lock/Molded Spring  
Stamped Pivot

Part #	Puck Color	Cam	Suffix
62-50006	Green	Closed	A
62-50007	Green	Open	C

T-Lock

Part #	Puck Color	Cam	Suffix
62-50008	White	Closed	K
62-50010	Blue	Closed	L

T-Lock

Part #	Puck Color	Cam	Suffix
62-50012	Tan	Open	P

Front-to-Back T-Lock  
Twin Cam

### PIVOT SHOE

### PIVOT BARS

Part #	Puck Color	Cam	Suffix
62-50011	Tan	Open	N

Front-to-Back T-Lock

Part #	Puck Color	Cam	Suffix
62-50033	Black	Open	W

Front-to-Back T-Lock

**Suffix M**

**62-50013**  
Inverted Link  
Used with 62-50014

**62-50014**  
Sold Separately

**62-824**

**62-825**

**62-50046**

**62-826**

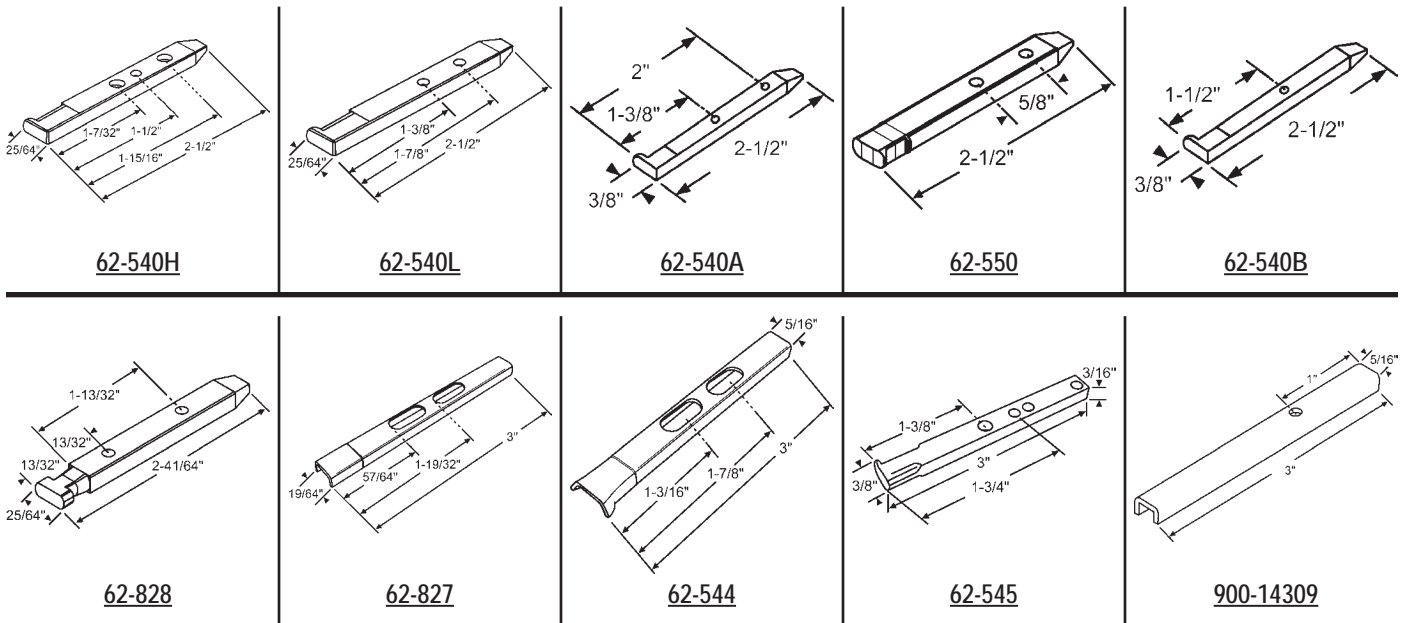
**62-540D**  
No Longer Available  
Use 62-540K

**62-540K**

# SASH SUPPORT SYSTEMS

## 62-716 & 62-766 SERIES BALANCES ACCESSORIES

### PIVOT BARS



### ADHESIVE SEALANT



Part #	Color
59-100	Clear
59-100W	White



#### Adheres To

- Vinyl • Aluminum • Wood • Steel
- Brick • Concrete • Stone • Ceramics
- Fiberglass • Masonry • Building Paper

#### Product Description

- Waterproof, Premium All-Weather Silicone
- Excellent Tooling Characteristics
- UV and Mildew Resistant
- Permanently Flexible
- Will Not Shrink, Crack, Sag or Slump
- Service Temperature -40°F to +400°F
- Application Temperature +32°F to +120°F

#### Flex Facts

- Permanently flexible
- Will not shrink & crack
- Will not sag or slump
- Weather tight seal
- Excellent adhesion to all building substrates
- Waterproof
- Mold/Mildew resistant
- Easily gunned at all temperatures—Winter and Summer
- VOC compliant in all 50 states
- Excellent tooling
- Low odor
- Solvent free
- Invisible to UV light
- Tack free in 10 minutes
- Completely cured within 2 days
- AAMA verified for all Window installations
- Will not freeze
- Can be used on interior and exterior
- Plastic tubes-will not fall apart
- Removable tips-No wasted sealant left in fixed tips
- Ability to use entire tube-or can save with end cap - No waste
- Available in all major siding and window manufacturer colors

**Other colors available in carton only (12 per carton): Blue White, Antique White, Canvas, Black, Gray, Dark Bronze, Lincoln Bronze, Imperial Brown, Earthtone, Terratone, Dark Sand, Beige, Tan, Almond, Sandstone, Forest Green**



### GLASS CLEANER



**59-101**  
19 oz. can  
12 cans per case

#### Foaming Glass Cleaner

- Industrial Strength
- The most versatile glass cleaner available
- Cleans glass, windows, mirrors, windshields, enamel surfaces, chrome, tile, porcelain and other hard surfaces.
- Sprays in any position
- Dissolves dirt, grease, grit and grime
- Heavy-Duty Foam clings to vertical surfaces
- Non-ammoniated
- Guaranteed to leave no film - "Streak Free"
- Safe on tinted glass, plastic and mirrors
- Contains cosmetic-grade alcohol for best performance
- Superior quality at competitive pricing
- Patent Pending Formulation

Spray X Glass Cleaner contains less water and more cleaning power. Our patent pending formulation allows us to meet the current VOC regulations and deliver maximum cleaning performance for our customers. Compare our alcohol content to other national brands and you'll notice our quality is significantly higher

Spray X Glass Cleaner uses SD-40B cosmetic grade alcohol that is 200 proof and 99.9% pure. This type of alcohol requires a registration with the US Department of Alcohol, Tobacco and Firearms, and each Spray-X Glass Cleaner can is marked with our registration number. Compare our registration to other brands and you'll quickly agree this product has been performance engineered to meet all your glass cleaning needs.

Spray X Glass Cleaner for cleaning and polishing glass, mirrors and other nonporous surfaces. This easy-to-use, fast-acting product uses clinging foam to break up soils and hold them -even on vertical surfaces. There's no dripping, no running and no streaking. With an exclusive industrial strength formulation, this product cleans thoroughly, dries quickly, requires no rinsing and leaves a pleasant, fresh aroma.

Spray-X Glass Cleaner utilizes a 360 degree valve for ease of use. This allows our product to be sprayed right side up or upside down. Other brands cannot spray upside down, but we have this solid valve feature, plus the anti-fatigue finger pad makes this packaging very attractive to all users.

Spray-X Glass Cleaner is alcohol based. It does not contain ammonia. When comparing our performance on tinted glass to ammoniated brands most professional installers praise the difference.

Spray-X Glass Cleaner is packaged in a two-piece steel can. No side seam means we use less energy and material and generate less waste. Our can weighs 10% less than the three-piece equivalent and is 100% recyclable. You will appreciate the new contemporary can design.