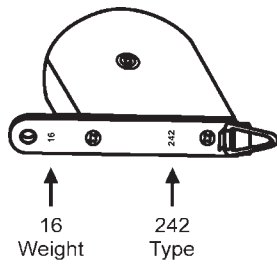
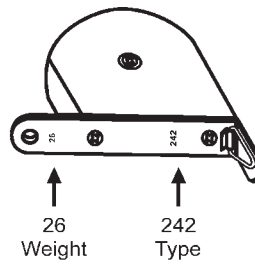


## TAPE BALANCES



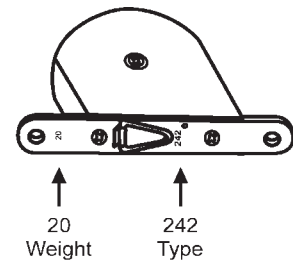
16  
Weight      242  
Type

Overhead Style - FT



26  
Weight      242  
Type

Overhead Style - AT



20  
Weight      242  
Type

Side Style - S

### Ordering Information

1. Identify Style: FT - AT - S
2. Identify Type: 242 - 150 - 154 (Type number will be stamped on face plate).
3. Determine weight. (Number is stamped on face plate.)
4. Select our corresponding part number from chart below.

### General Information

1. Type 242 for maximum sash weight 26 lbs., tape length 39".  
Type 150 for maximum sash weight 35 lbs., tape length 50".  
Type 154 for maximum sash weight 50 lbs., tape length 50".
2. Balance size is governed by the weight of sash and length of tape required. All balance weights are per pair of balances.
3. Tapes for special weight and lengths are available. Consult your sales representative.
4. All tape balances are custom made and, therefore, they are non-returnable.

### Overhead Style - FT

LBS.	TYPE 242 Part #	TYPE 150* Part #	TYPE 154 Part #
4	96-1	-	-
6	96-2	96-37	-
8	96-3	96-38	-
10	96-4	96-39	-
12	96-5	96-40	-
14	96-6	96-41	-
16	96-7	96-42	-
18	96-8	96-43	-
20	96-9	96-44	96-73
22	96-10	96-45	96-74
24	96-11	96-156	96-75
26	96-12	96-46	96-76
28	-	96-47	96-77
30	-	-	96-78
32	-	96-48	96-79
34	-	-	96-80
36	-	96-154	96-81
38	-	96-155	96-82
40	-	-	96-83

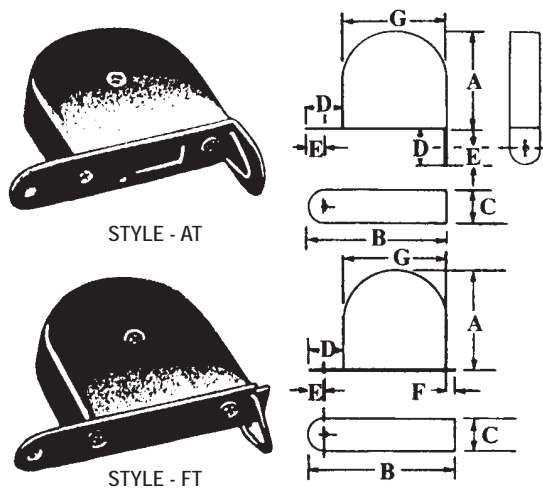
### Overhead Style - AT

LBS.	TYPE 242 Part #	TYPE 150* Part #	TYPE 154 Part #
4	96-13	-	-
6	96-14	96-49	-
8	96-15	96-50	-
10	96-16	96-51	-
12	96-17	96-52	-
14	96-18	96-53	-
16	96-19	96-54	-
18	96-20	96-55	-
20	96-21	96-56	96-84
22	96-22	96-57	96-85
24	96-23	-	96-86
26	96-24	96-58	96-87
28	-	96-59	96-88
30	-	-	96-89
32	-	96-60	96-90
34	-	-	96-91
36	-	-	96-92
38	-	-	96-93
40	-	-	96-94

### Side Style - S

LBS.	TYPE 242 Part #	TYPE 150* Part #	TYPE 154 Part #
4	96-25	-	-
6	96-26	96-61	-
8	96-27	96-62	-
10	96-28	96-63	-
12	96-29	96-64	-
14	96-30	96-65	-
16	96-31	96-66	-
18	96-32	96-67	-
20	96-33	96-68	96-95
22	96-34	96-69	96-96
24	96-35	-	96-97
26	96-36	96-70	96-98
28	-	96-71	96-99
30	-	-	96-100
32	-	96-72	96-101
34	-	-	96-102
36	-	-	96-103
38	-	-	96-104
40	-	-	96-105

\* Note: Type 150 adjustable to 3 lbs. plus or minus weight specified



### TAPE BALANCE TECHNICAL INFORMATION

Size	A	B	C	D	E	G
242AT	3"	4-5/16"	7/8"	1-5/16"	5/16"	3"
150AT	3-3/8"	4-11/16"	1-1/8"	1-5/16"	3/8"	3-3/8"
154AT	3-5/16"	5-5/32"	1-1/4"	1-17/32"	15/32"	3-15/16"
242S	3"	5-5/8"	7/8"	1-5/16"	5/16"	3"
150S	3-3/8"	6"	1-1/8"	1-5/16"	3/8"	3-3/8"
154S	3-15/16"	7"	1-1/4"	1-13/32"	15/32"	3-15/16"
242FT	3"	4-11/16"	7/8"	1-5/16"	3/8"	3"
150FT	3-3/8"	5-1/8"	1"	1-5/16"	3/8"	3-3/8"
154FT	3-15/16"	5-13/16"	1-1/4"	1-17/32"	11/32"	3-15/16"

WGT. of Sash	4-26 lbs.	4-35 lbs.	20-50 lbs.
Balance Size	242	150	154
*Standard Tape Length	39"	50"	50"